

Preparation

Part Number: PT347-00100

NOTE: Part number of this accessory may not be the same as the part number shown.

Kit Contents

| Item # | Quantity Reqd. | Description |
|--------|----------------|-------------|
| 1 | 1 | Spider Net |
| | | |
| | | |


Vehicle Service Parts (may be required for reassembly)


| Item # | Quantity Reqd. | Description |
|--------|----------------|-------------|
| | | |
| | | |
| | | |


Hardware Bag Contents


| Item # | Quantity Reqd. | Description |
|--------|----------------|-------------|
| 1 | N/A | |
| | | |
| | | |


Legend


 **STOP:** Damage to the vehicle may occur. Do not proceed until process has been complied with.

 **OPERATOR SAFETY:** Use caution to avoid risk of injury.

 **CAUTION:** A process that must be carefully observed in order to reduce the risk of damage to the accessory/vehicle and to ensure a quality installation.

 **TOOLS & EQUIPMENT:** Used in Figures calls out the specific tools and equipment recommended for this process.

 **REVISION MARK:** This mark highlights a change in installation with respect to previous issue.

 **SAFETY TORQUE:** This mark indicates that torque is related to safety.

Additional Items Required For Installation

| Item # | Quantity Reqd. | Description |
|--------|----------------|-------------|
| 1 | N/A | |
| | | |
| | | |

Conflicts

| |
|------|
| None |
|------|

Recommended Tools

| | |
|--|--------------|
| Personal & Vehicle Protection | Notes |
| None | |
| | |
| Special Tools | Notes |
| None | |
| | |
| Installation Tools | Notes |
| None | |
| | |
| Special Chemicals | Notes |
| None | |
| | |

General Applicability

| |
|---------------------------------|
| Highlander & Venza (all models) |
|---------------------------------|

Recommended Sequence of Application

| Item # | Accessory |
|--------|-----------|
| 1 | |
| | |
| | |

*Mandatory

Procedure

Care must be taken when installing this accessory to ensure damage does not occur to the vehicle. The installation of this accessory should follow approved guidelines to ensure a quality installation.

These guidelines can be found in the "Accessory Installation Practices" document.

This document covers such items as:-

- Vehicle Protection (use of covers and blankets, cleaning chemicals, etc.).
- Safety (eye protection, rechecking torque procedure, etc.).
- Vehicle Disassembly/Reassembly (panel removal, part storage, etc.).
- Electrical Component Disassembly/Reassembly (battery disconnection, connector removal, etc.).

Please see your Toyota dealer for a copy of this document.

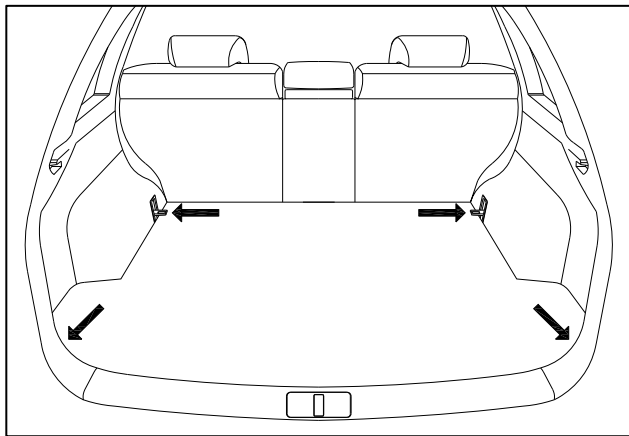


Fig. 1-1

1. Installation of Spider Net

- (a) Open vehicle rear cargo door, locate and pull down the four fold-out D-rings as shown. (Fig. 1-1)

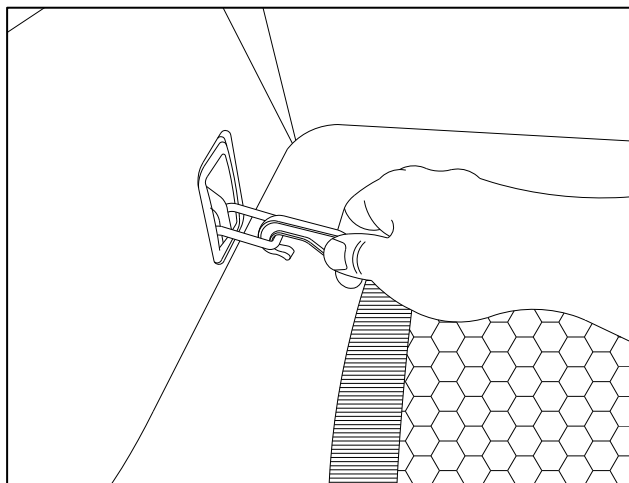


Fig. 1-2

- (b) Orient spider net on the cargo floor so cloth pull tab is located at the rear of the vehicle. Attach the net's front driver side hook to the forward D-ring as shown. (Fig. 1-2)

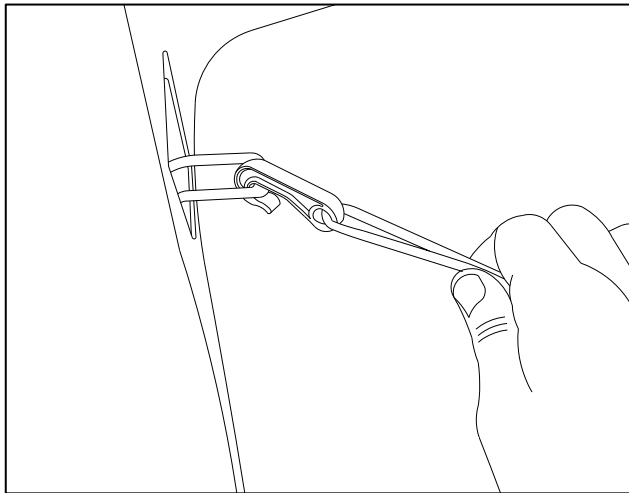


Fig. 1-3

(c) Attach the spider net's rear driver side hook to the rear D-ring as shown. (Fig. 1-3)

(d) Repeat steps 1(b) & 1(c) for the passenger side of vehicle

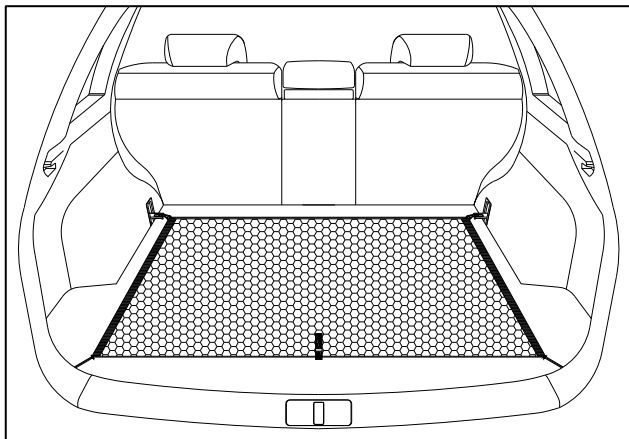


Fig. 1-4

(e) Completed assembly as shown. (Fig 1-4)

Checklist - these points **MUST** be checked to ensure a quality installation.

| <u>Check:</u> | <u>Look For:</u> |
|--|--|
| <p><u>Accessory Function Checks</u></p> <p><input type="checkbox"/> Confirm the net is attached properly to the D-rings in the vehicle.</p> <p><input type="checkbox"/> Pull Tab orientation</p> | <p>Ensure the net hooks are attached securely to all D-rings and not twisted.</p> <p>Ensure the net's cloth pull tab is located at the rear of the cargo area.</p> |
| <p><u>Vehicle Function Checks</u></p> <p><input type="checkbox"/> Rear cargo door</p> | <p>Ensure the cargo door can open and close freely without interference from net.</p> |